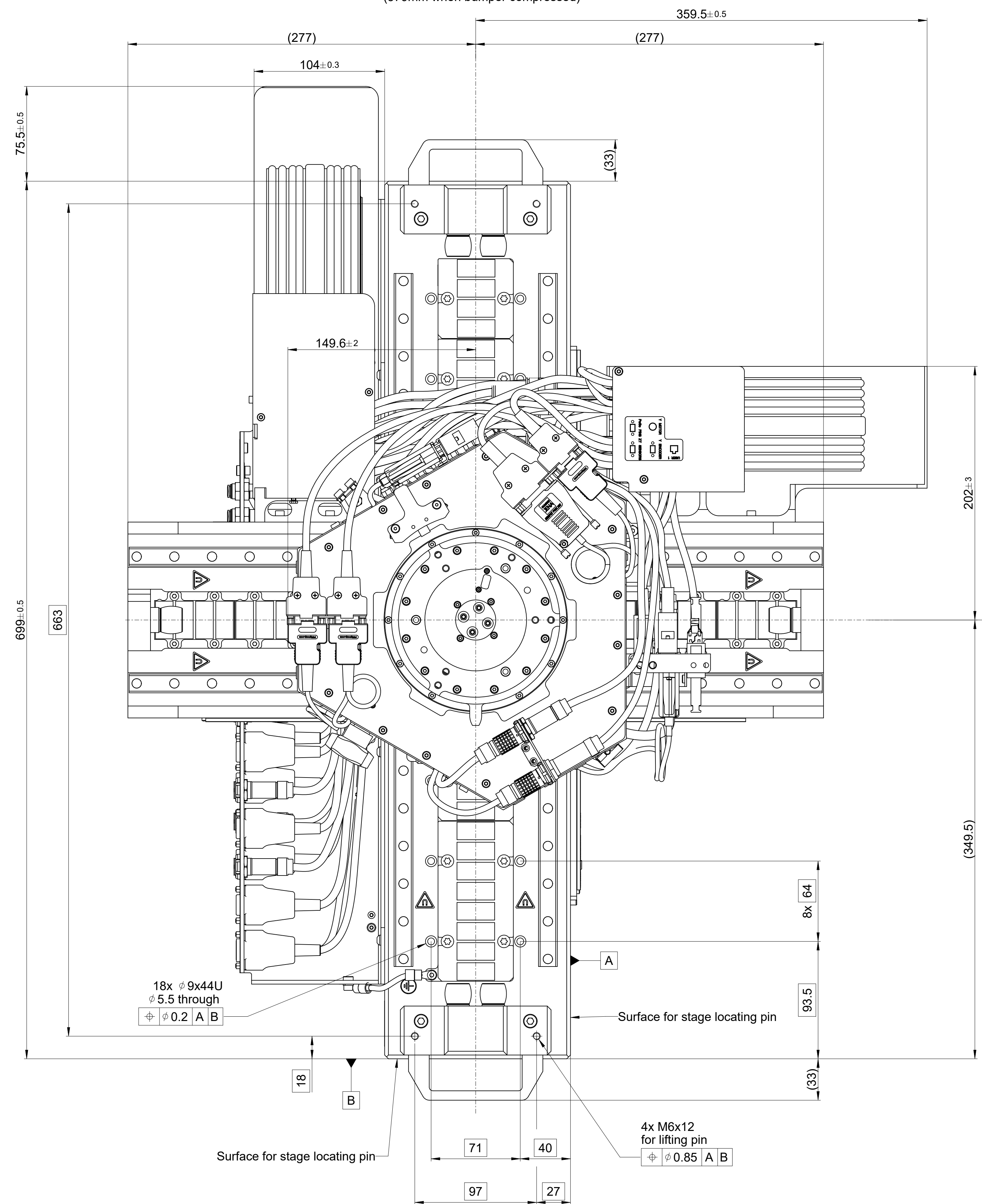


* Dimensions with cables at the end of the strokes

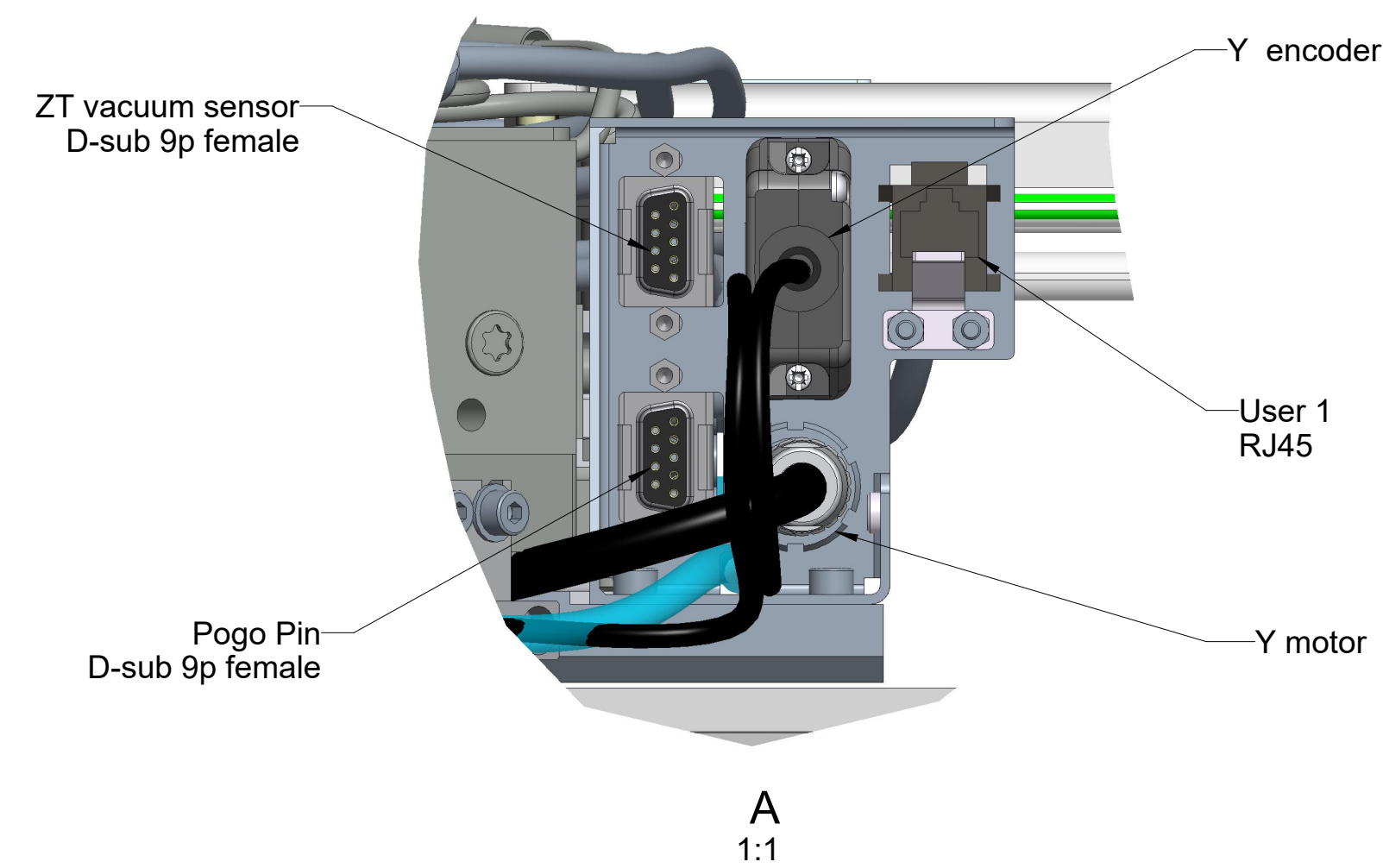
Y AXIS

Stroke 355mm Minimum
(379mm when bumper compressed)

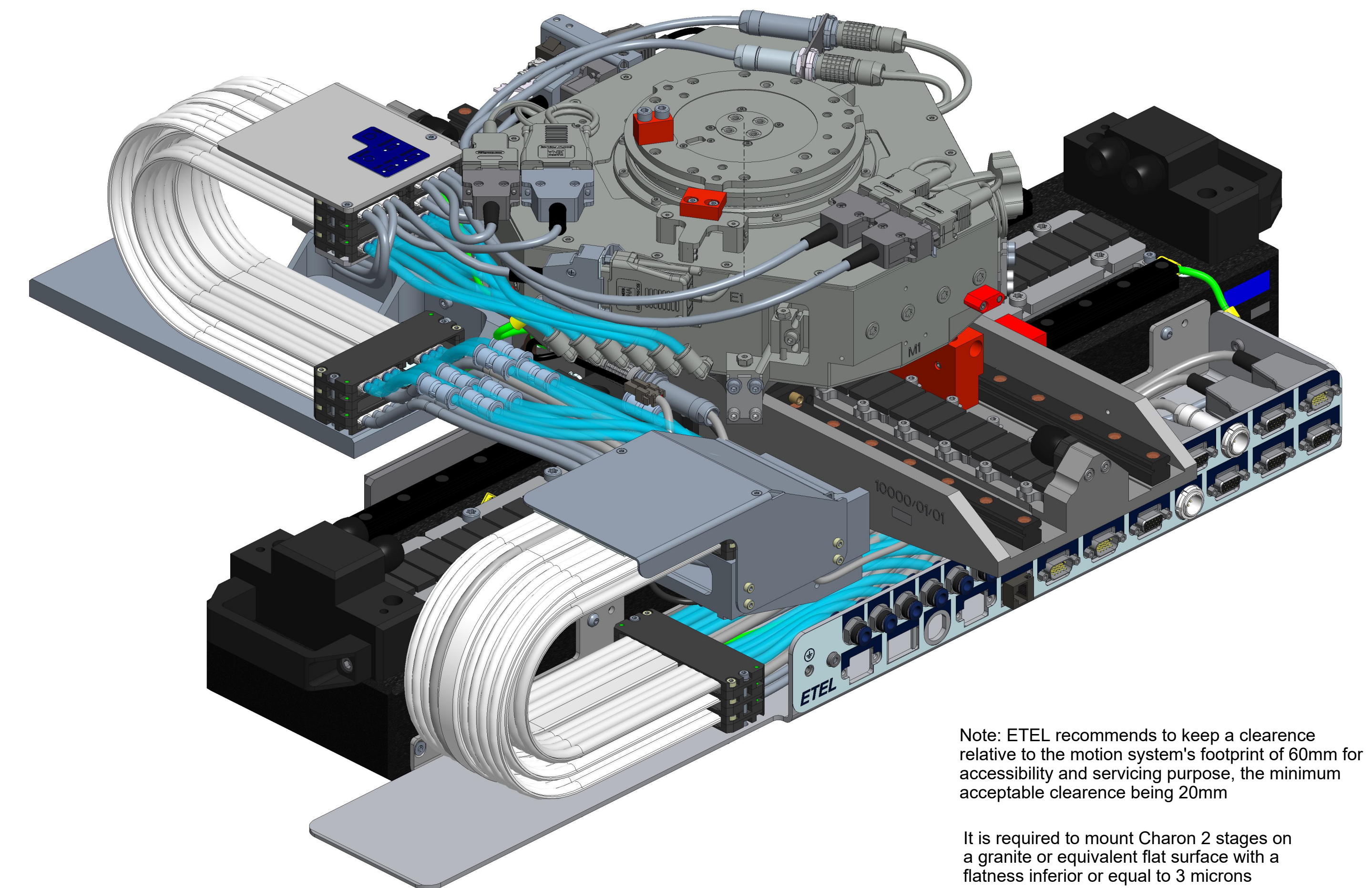
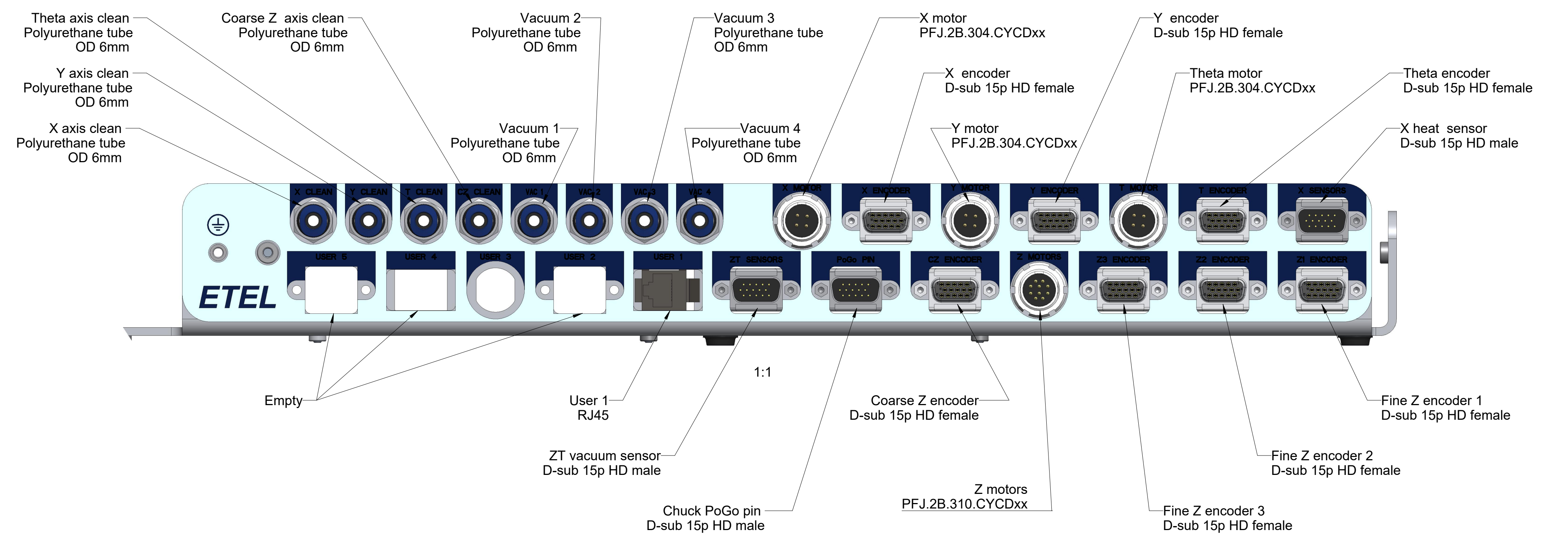


Stroke 365mm Minimum
(387mm when bumper compressed)

X AXIS



Front panel connections



Note: ETEL recommends a clearance relative to the motion system's footprint of 60mm for accessibility and servicing purpose, the minimum acceptable clearance being 20mm

It is required to mount Charon 2 stages on a granite or equivalent flat surface with a flatness inferior or equal to 3 microns

Options table	
Theta limited stroke	365°
Wobble adjustment kit	No
Vacuum kit	No Vacuum 2
Forks kit	Integrated
(Pogo pin) Connector rotative kit	No

Text:		ID number: 1373808-01
Original drawing		Change No. 013029-02
ASME-NNNN-07-0365-0365xxx-XYZ3T STACKED SYSTEM		Released: 25-May-22
Scale: 1:1 mm		Tolerances as per ISO 8015: 2011
Dimensions in: 1:2 A0		Tolerances series ISO 8015: 2011
CHARON 2 - XY Z3TM* 365 x 355mm		Dimensions without tolerance: ± 0.2
Making Dimensions / Colors / Environment		Dimensions series tolerance: ± 0.2
The reproduction, distribution and utilization of this document as well as the communication of its contents to others without express authorization is prohibited. Offenders will be held liable for the payment of damages. All rights reserved in the event of the grant of a patent, utility model or design. (ISO 15076)		Revision (Sheet) 1 of 1
ETEL S.A. 2112 Môtier SWITZERLAND		1373680-01 - A-01