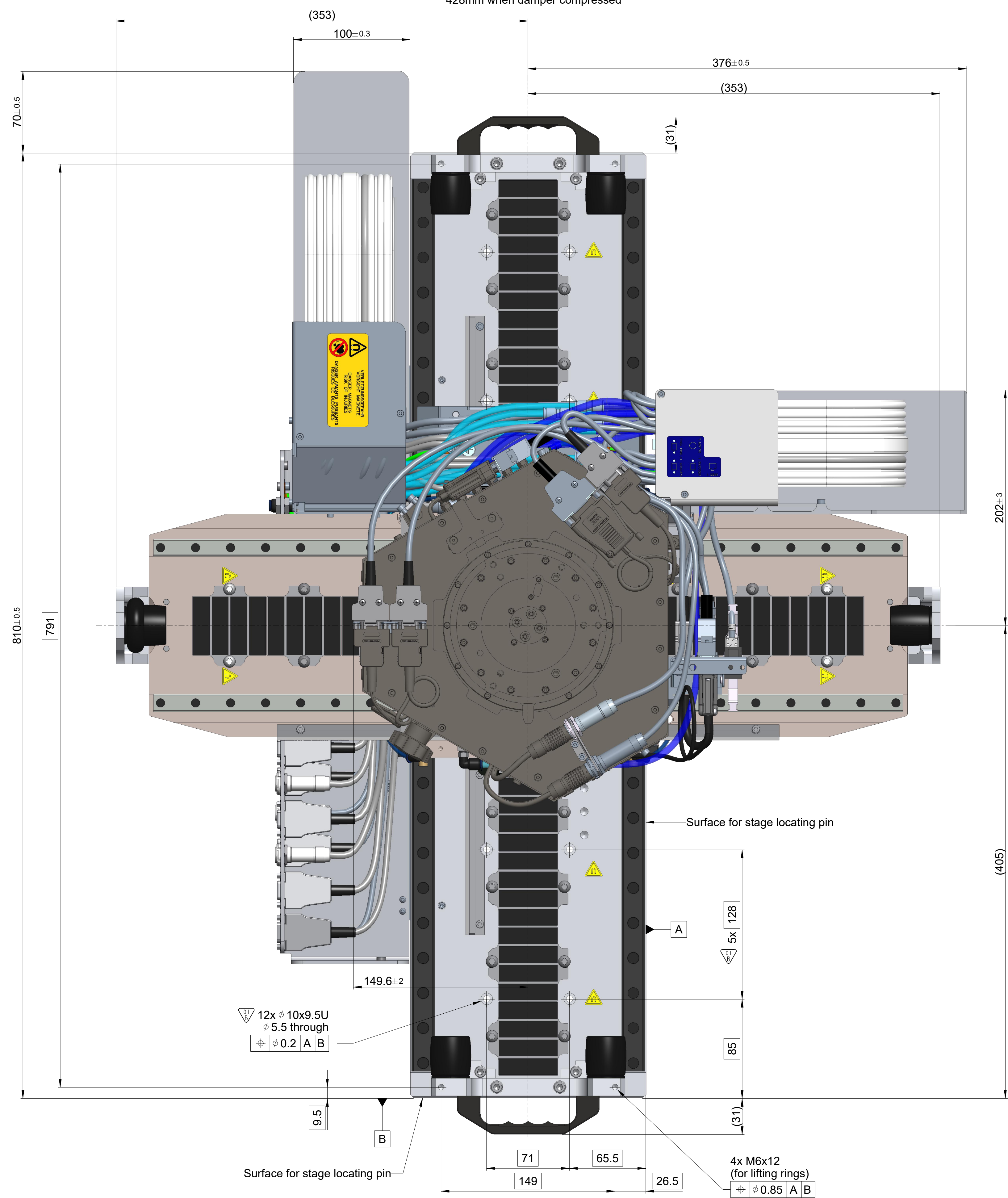


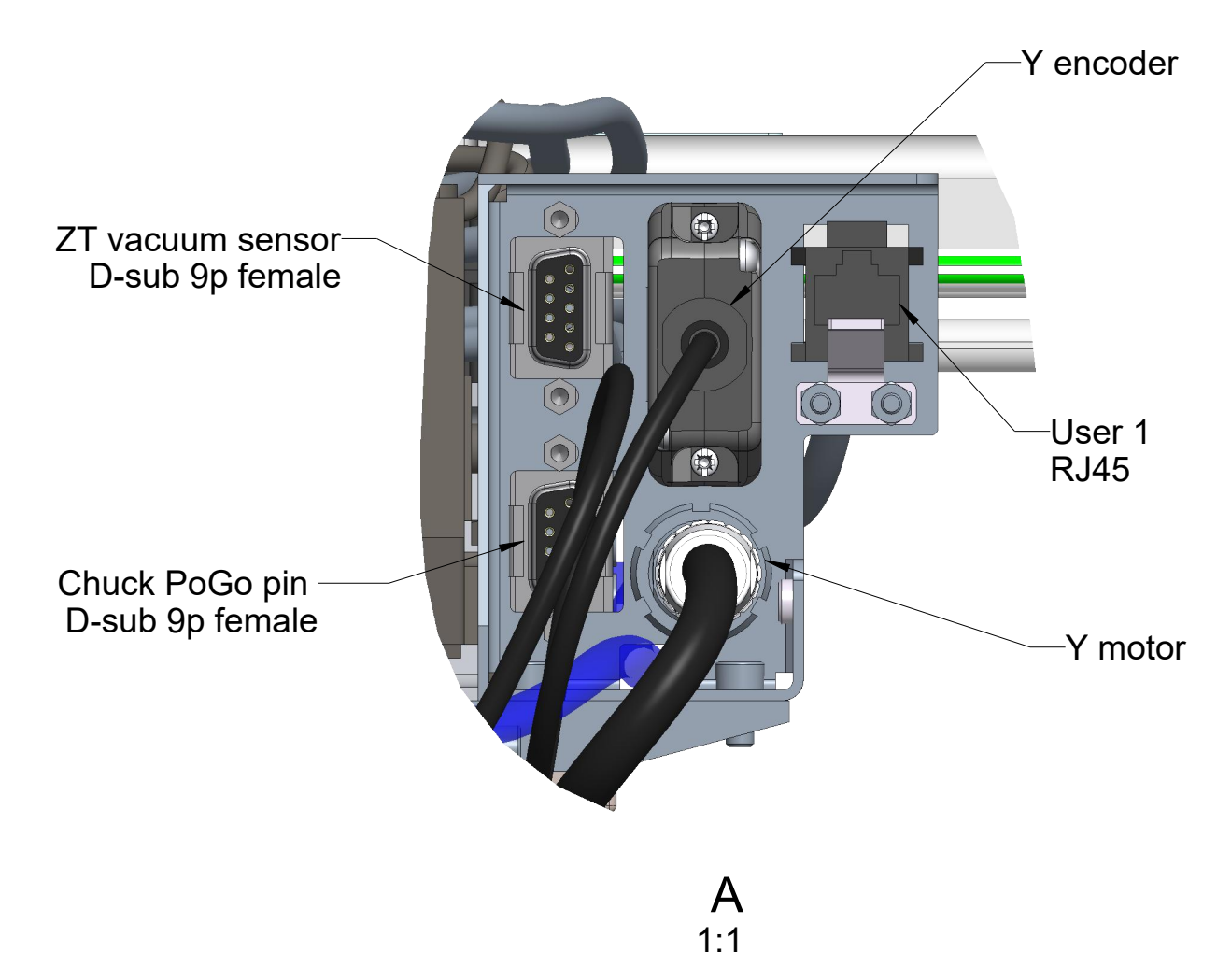
Y AXIS

Stroke 410mm Minimum
428mm when damper compressed

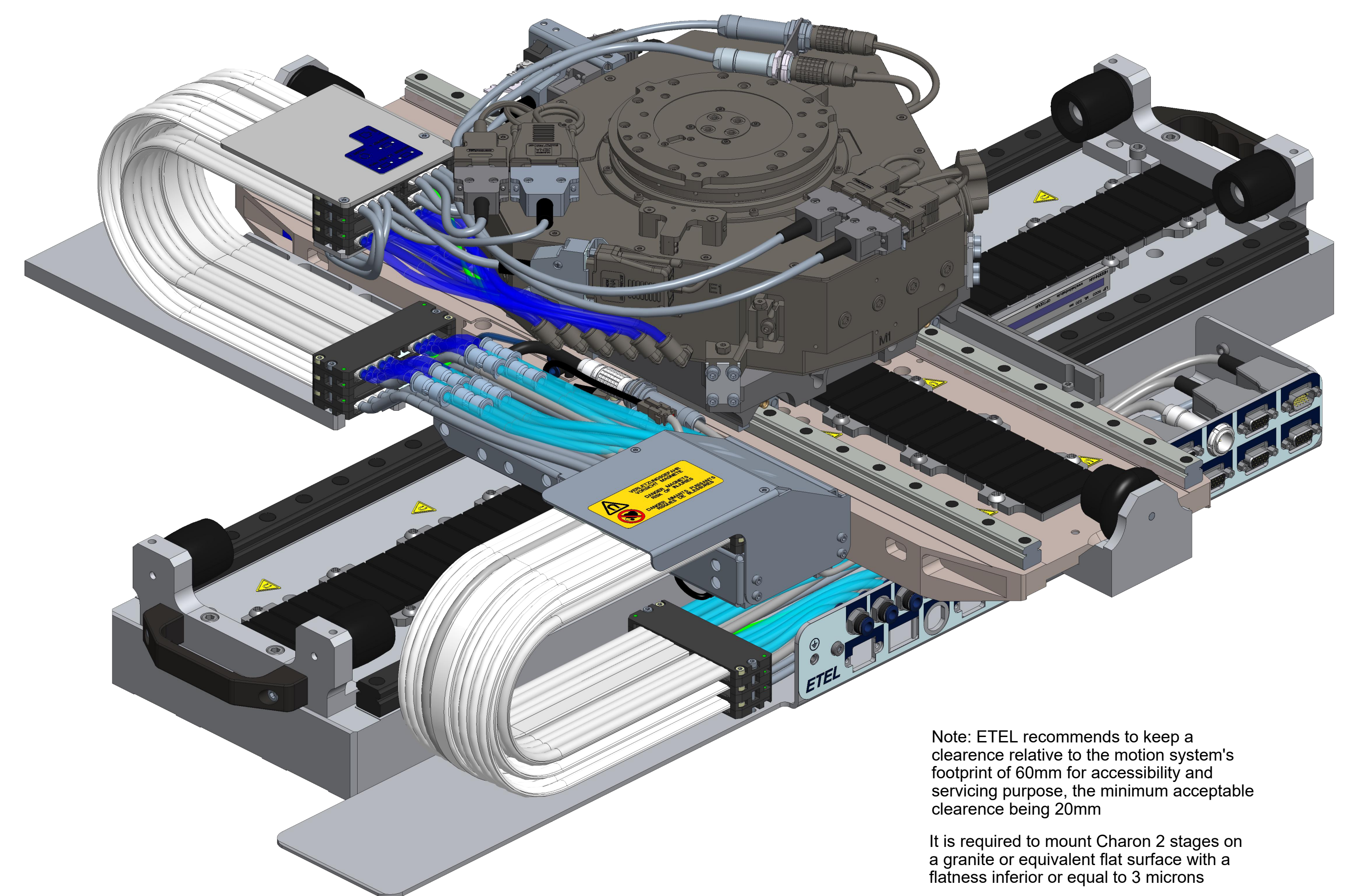
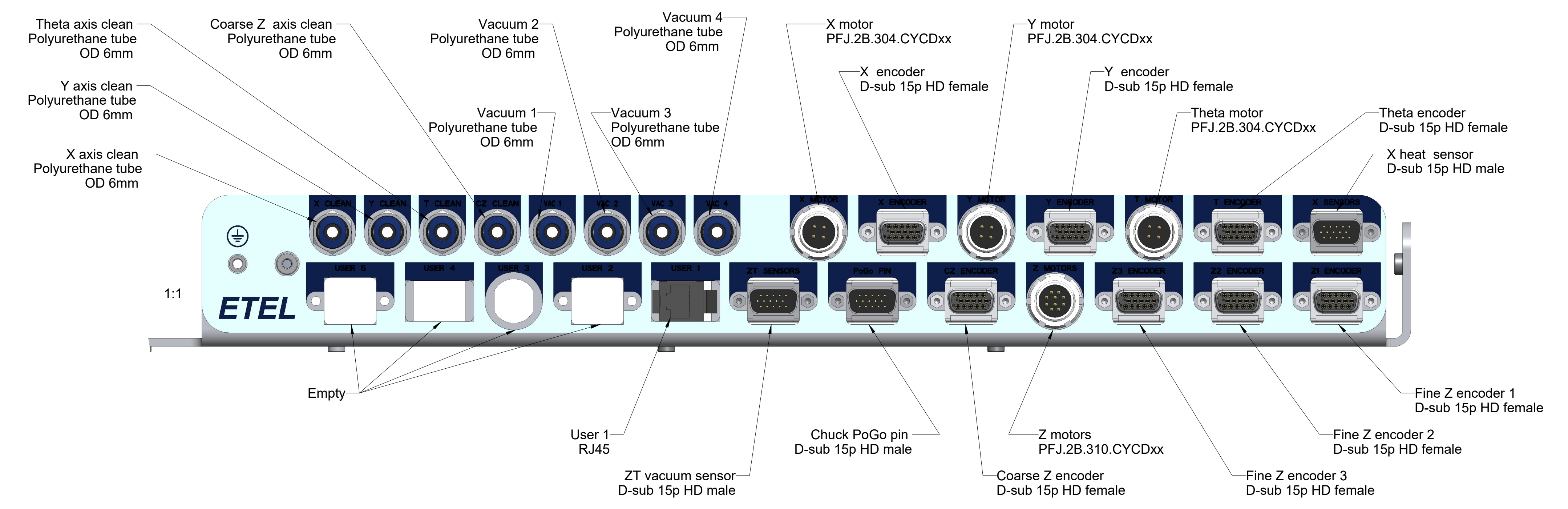


X AXIS

Stroke 475mm Minimum
428mm when damper compressed



Front panel connections

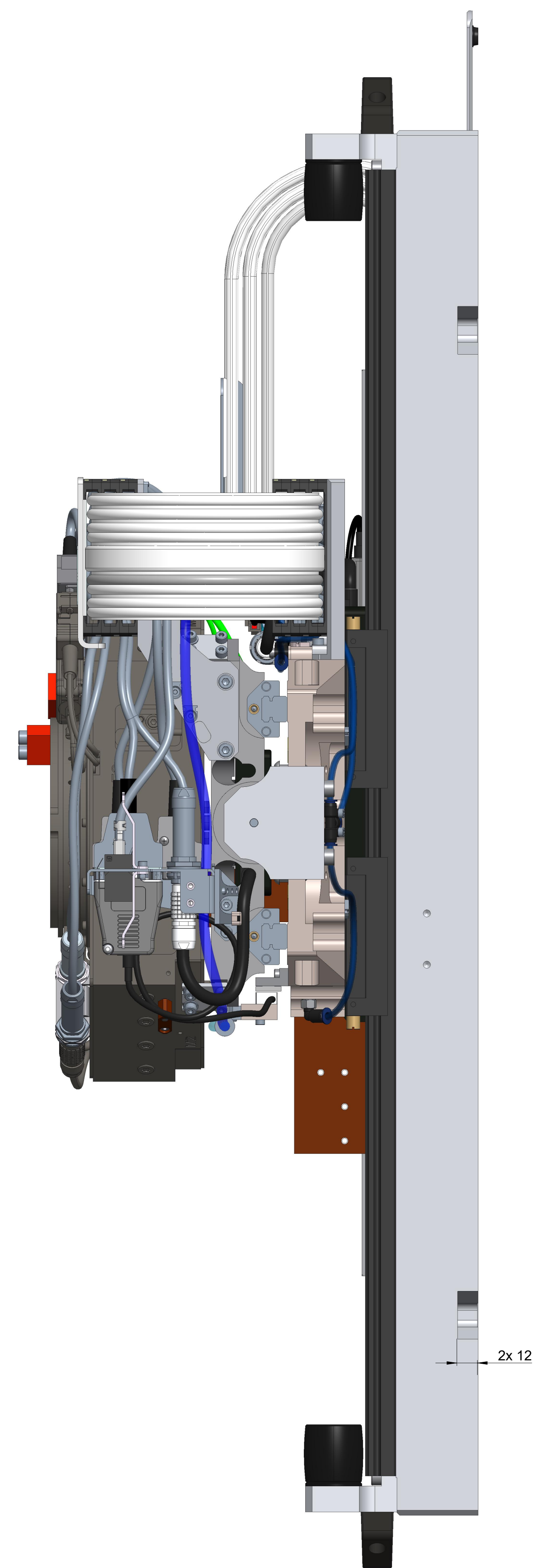
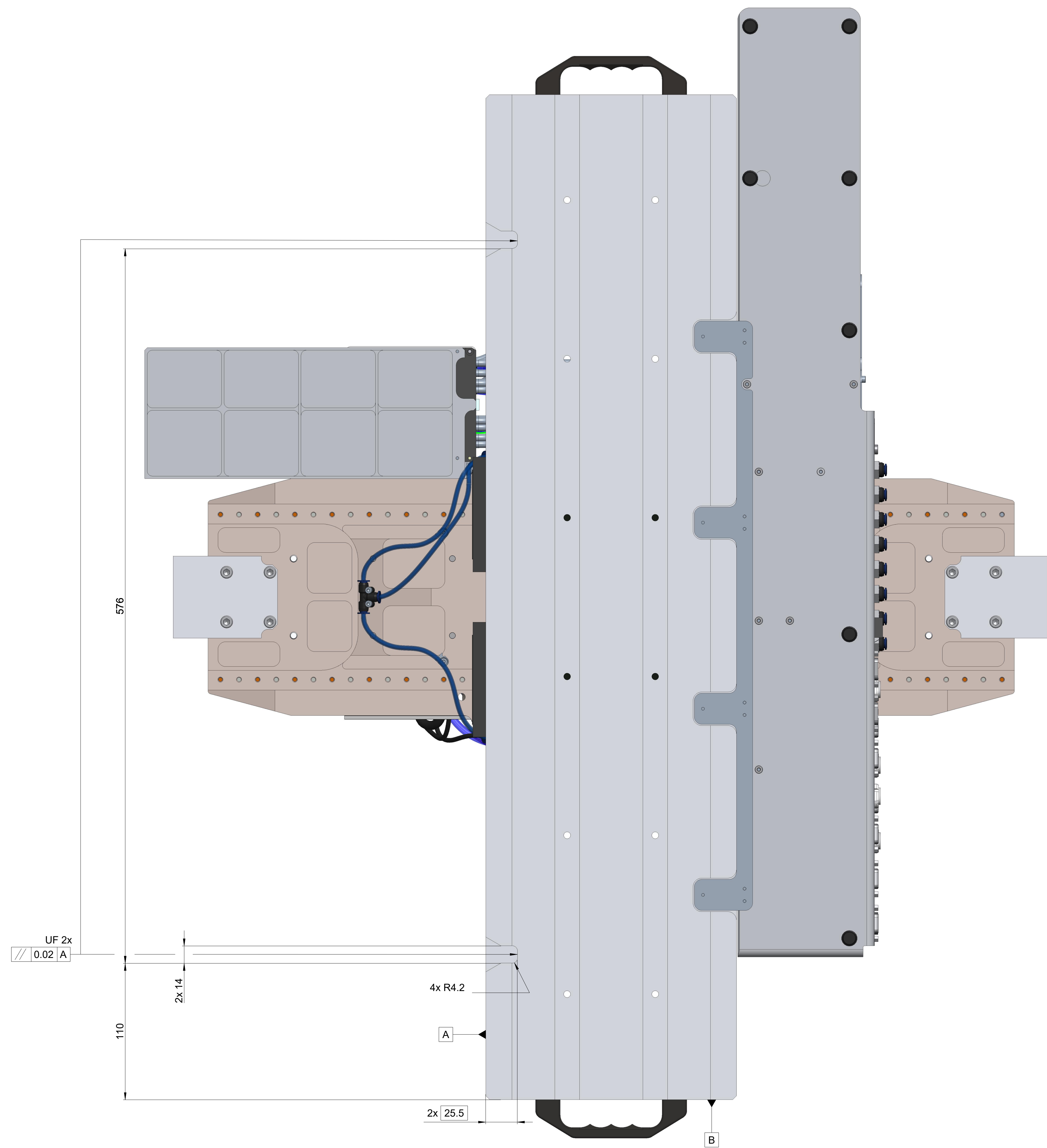


Note: ETEL recommends to keep a clearance relative to the motion system's footprint of 60mm for accessibility and servicing purpose, the minimum acceptable clearance being 20mm

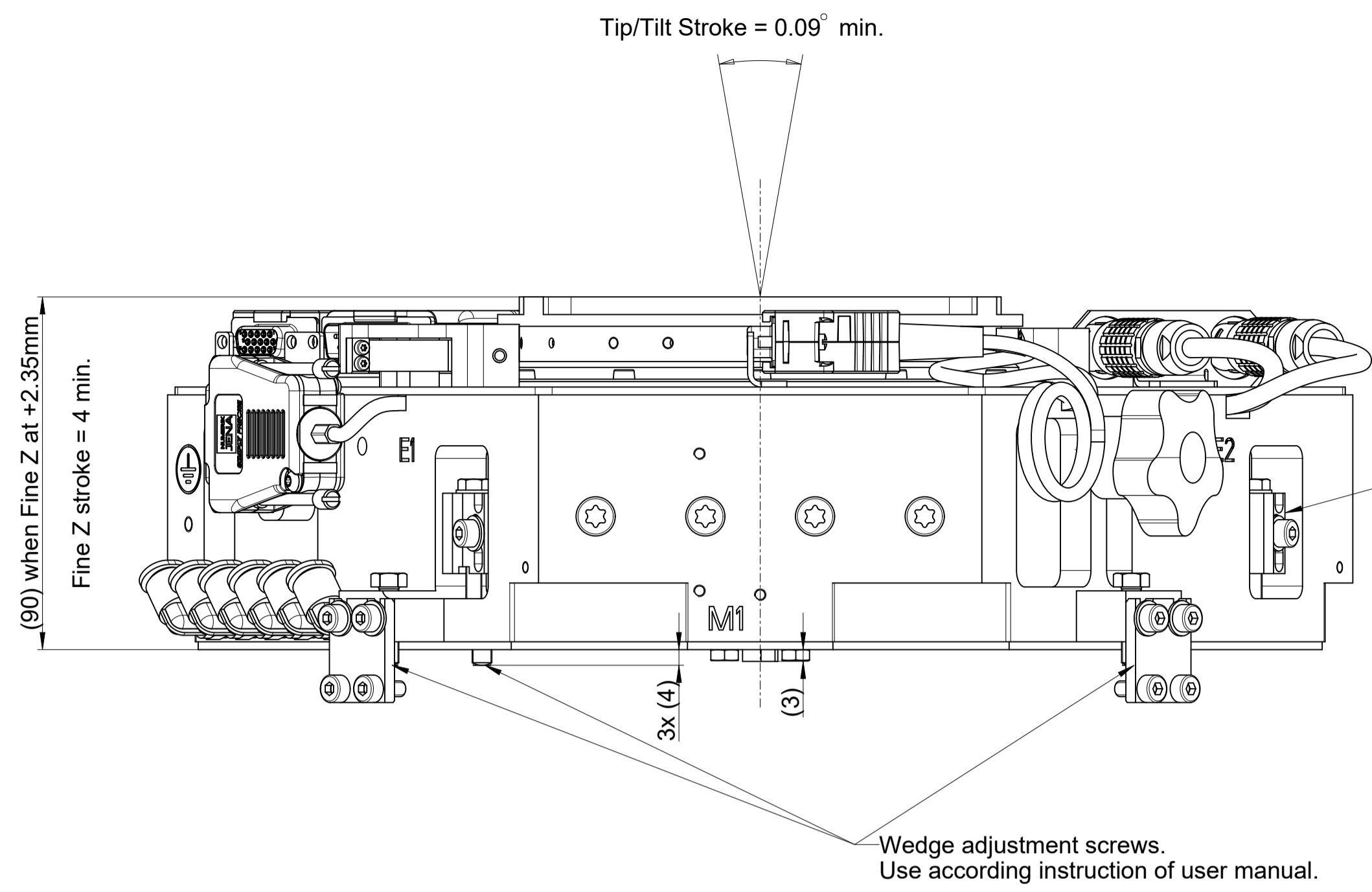
It is required to mount Charon 2 stages on a granite or equivalent flat surface with a flatness inferior or equal to 3 microns

Options table	
Theta limited stroke	365°
Wobble adjustment kit	No
Vacuum kit	No Vacuum 2
Forks kit (Pogo pin) Connector rotative kit	Integrated
	No

Text:		ID number: 1373008-01
Original drawing	ASME-NMNN-07-0475-0410xx-XYZ3T STACKED SYSTEM	Change No. C1373008-01
Scale: 1:1	CHARON 2 HD - XY Z3TM+ 475x410mm	Released: 19.10.22
Dimensions in mm	± 0.2	Tolerances as per ISO 8015: 2011
The reproduction, distribution and utilization of this document as well as the communication of its contents to others without express authorization is prohibited. Offenders will be held liable for the payment of damages. All rights reserved in the event of the grant of a patent, utility model or design. (ISO 15071)		Dimensions with tolerance ± 0.2
ETEL S.A. 2112 Môtte SWITZERLAND		Page 1 of 1
1372124-02-A-01		

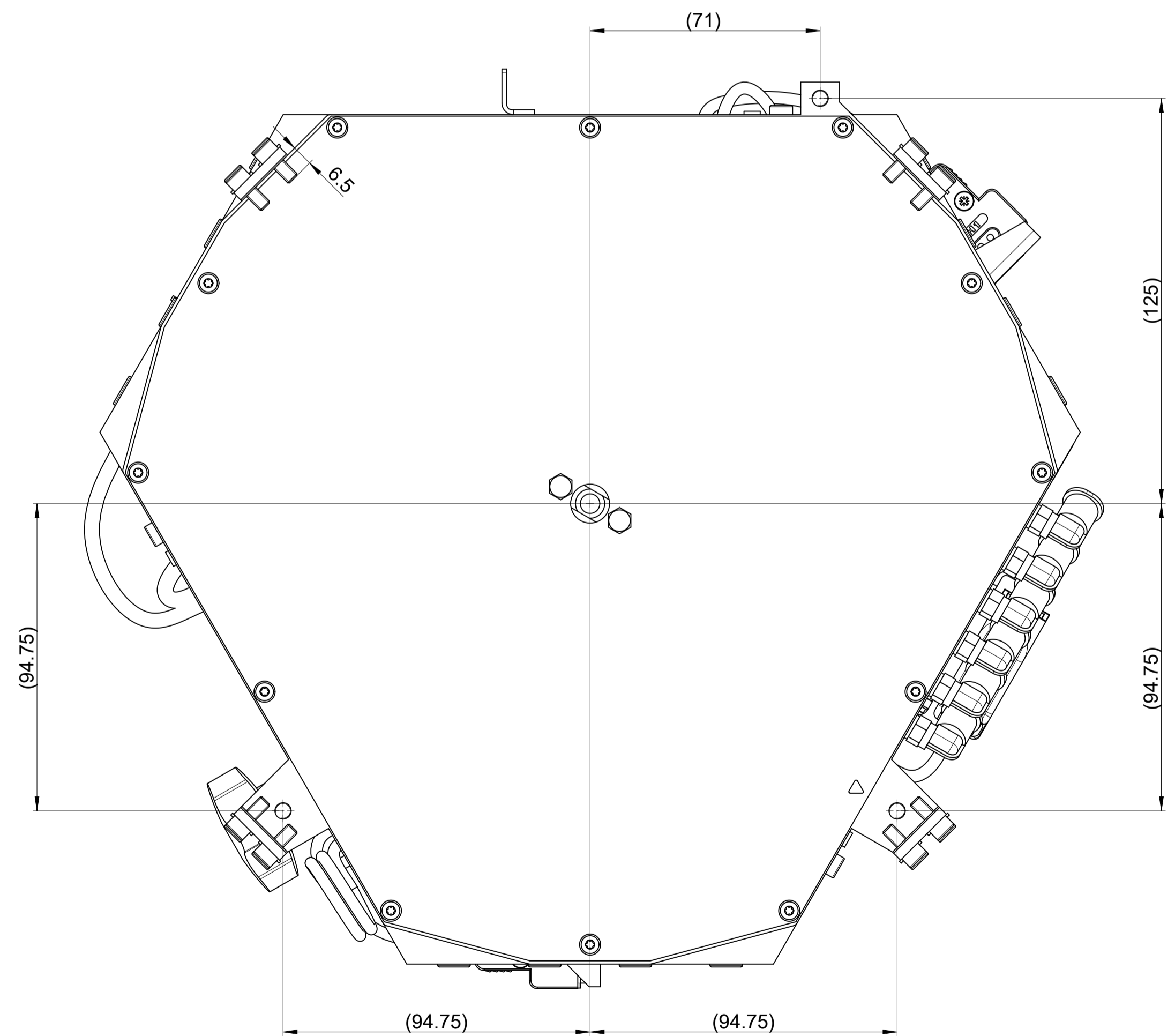
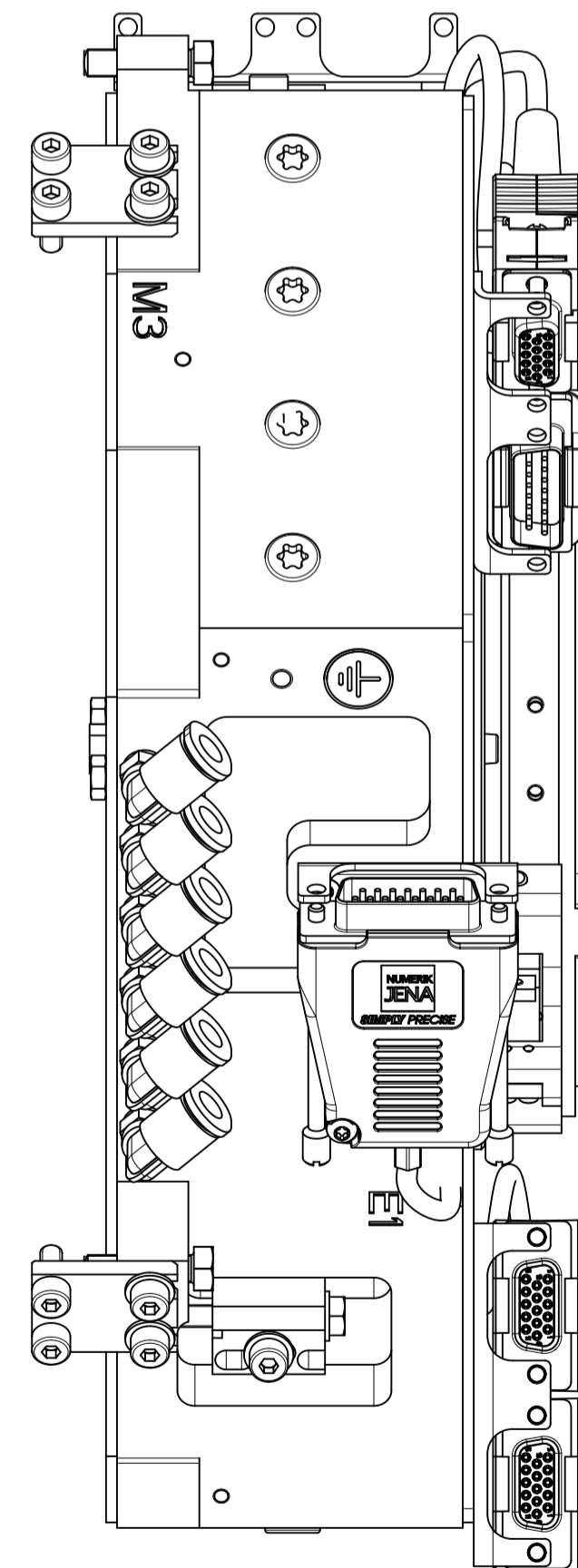
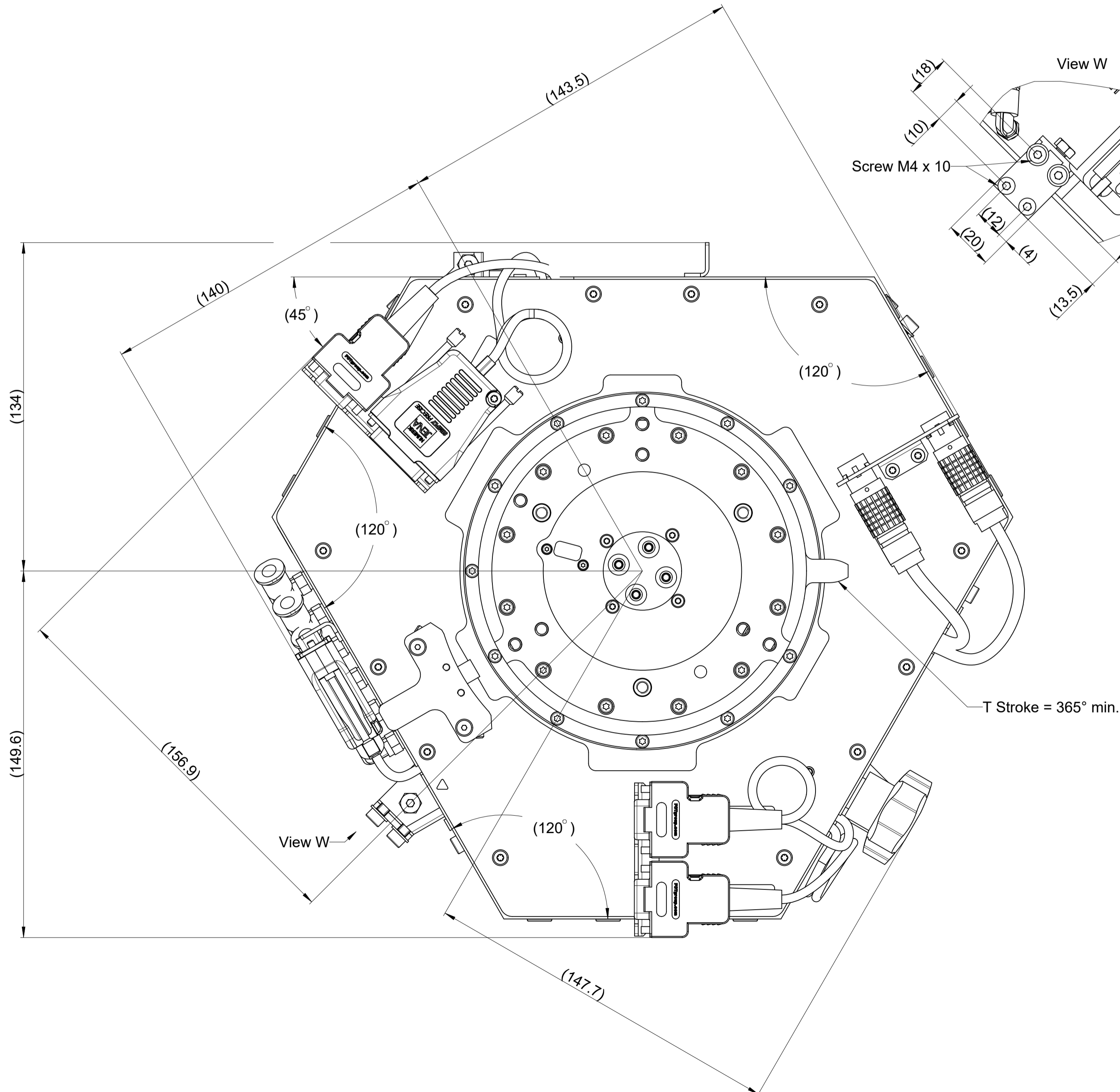
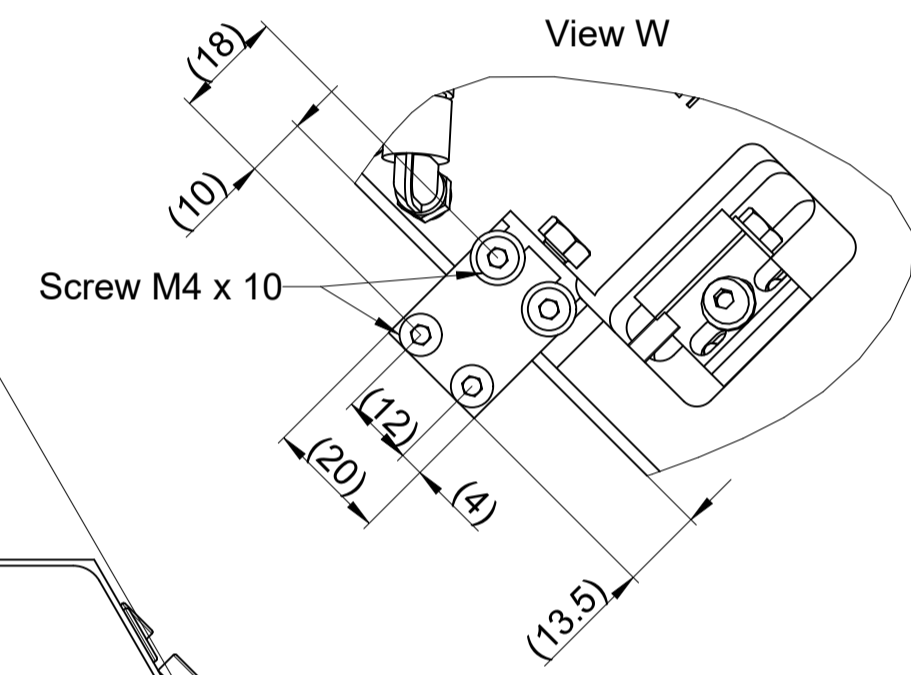
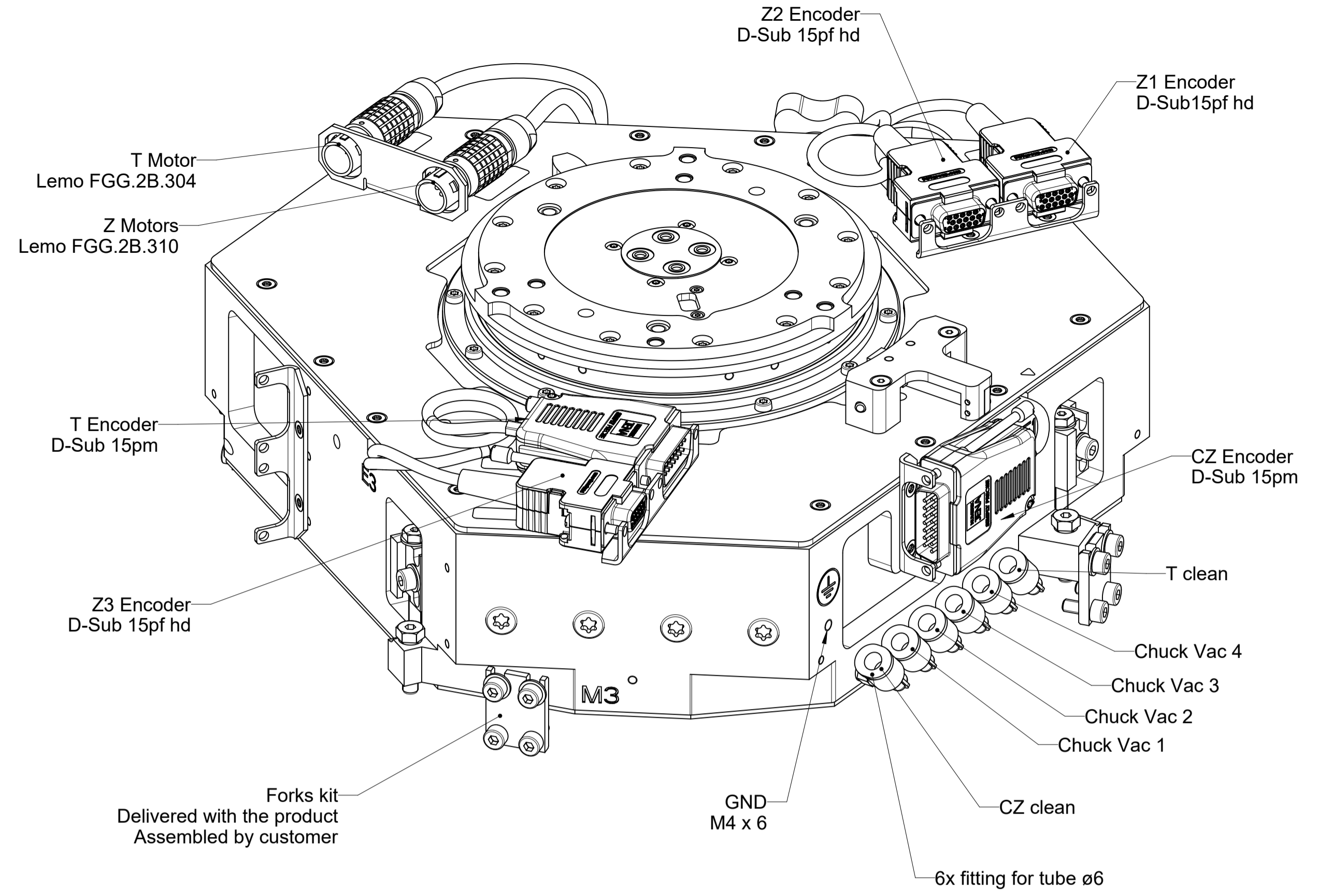


Text:		ID number: 1372058-01
Original: ASME-NNNN-07-0475-0410xx-XYZ3T STACKED SYSTEM	Change No.:	010071848
State: 1 (final)	Released:	19.10.22
Dimensions in mm: 3.5 A0	CHARON 2 HD - XY Z3TM+ 475x410mm	Dimensions without tolerance: 0.2
The reproduction, distribution and utilization of this document as well as the communication of its contents to others without express authorization is prohibited. Offenders will be held liable for the payment of damages. All rights reserved in the event of the grant of a patent, utility model or design. (ISO 16016)		Version (Revision) (Sheet): 1 / 2
ETEL S.A. 2112 Mörsli SWITZERLAND		1372124-02-A-01

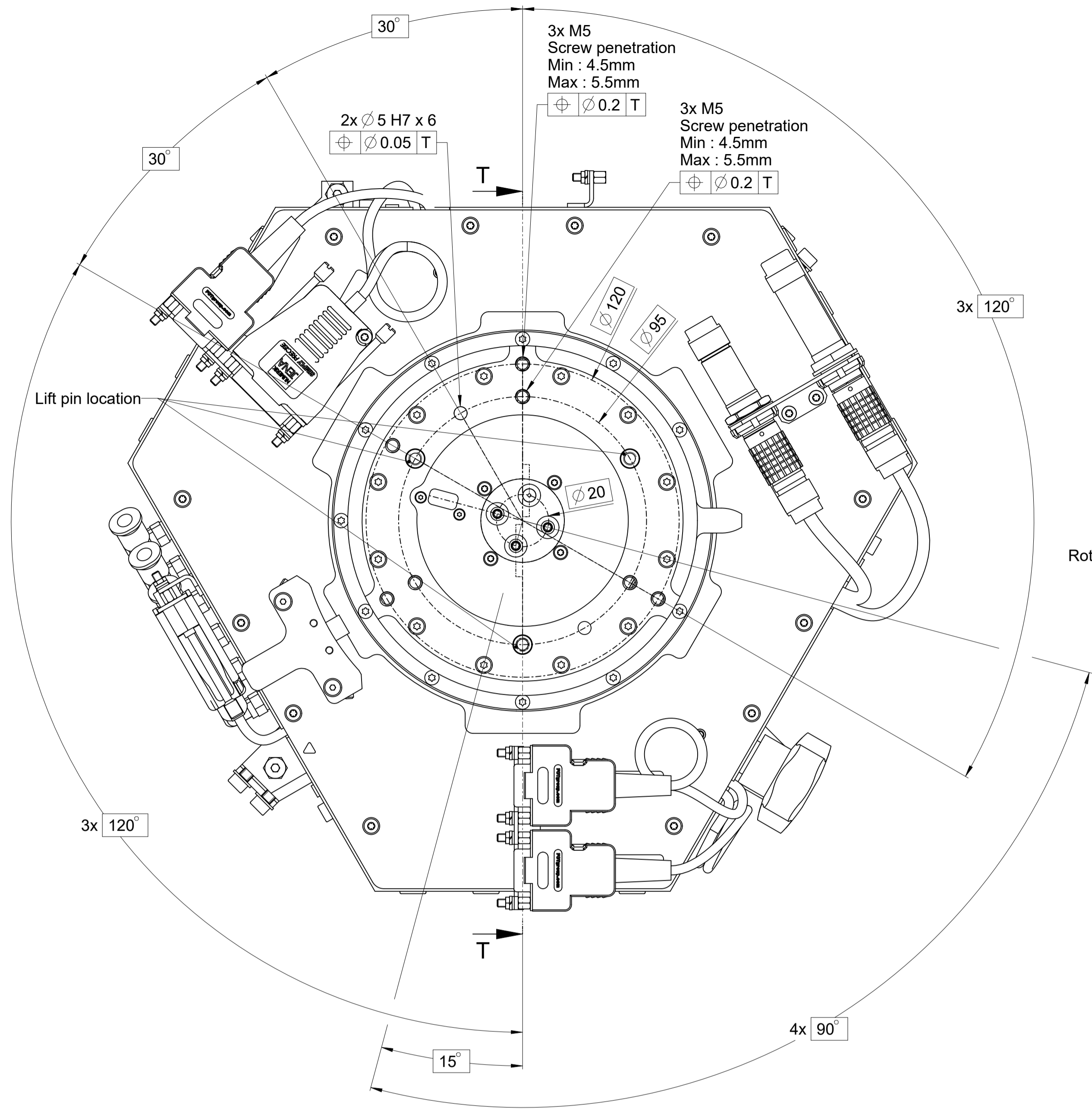


Fine Z top hardstop adjustment system.
Use according instruction of user manual.

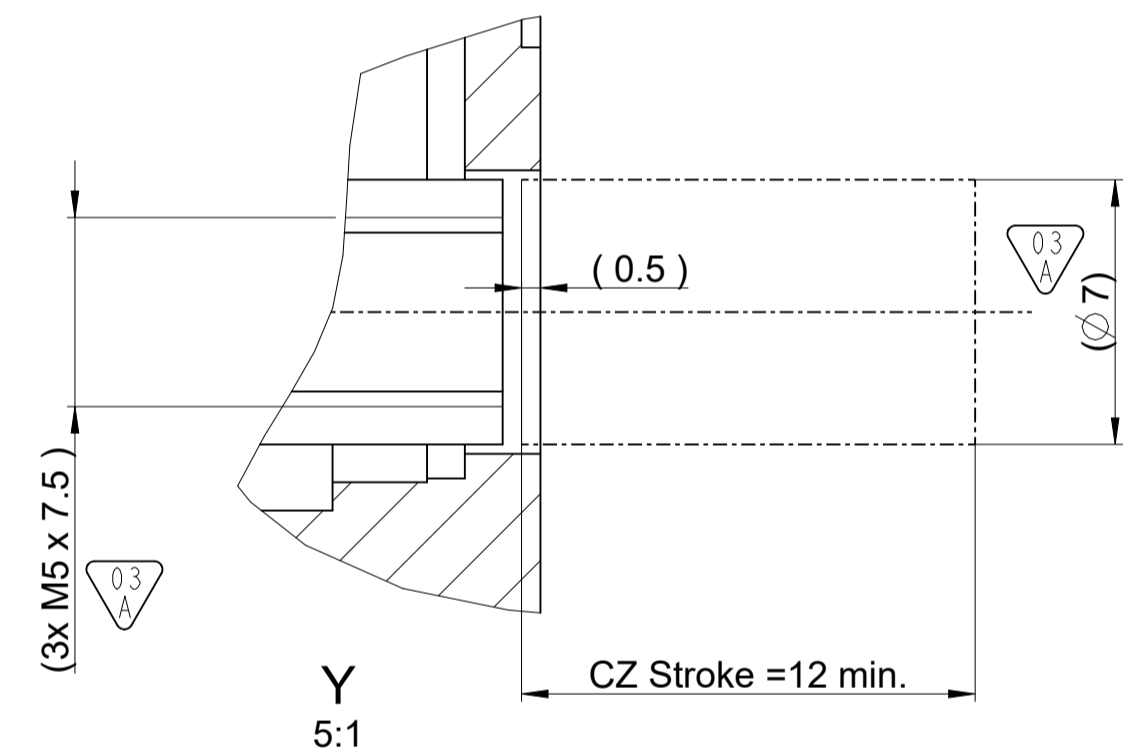
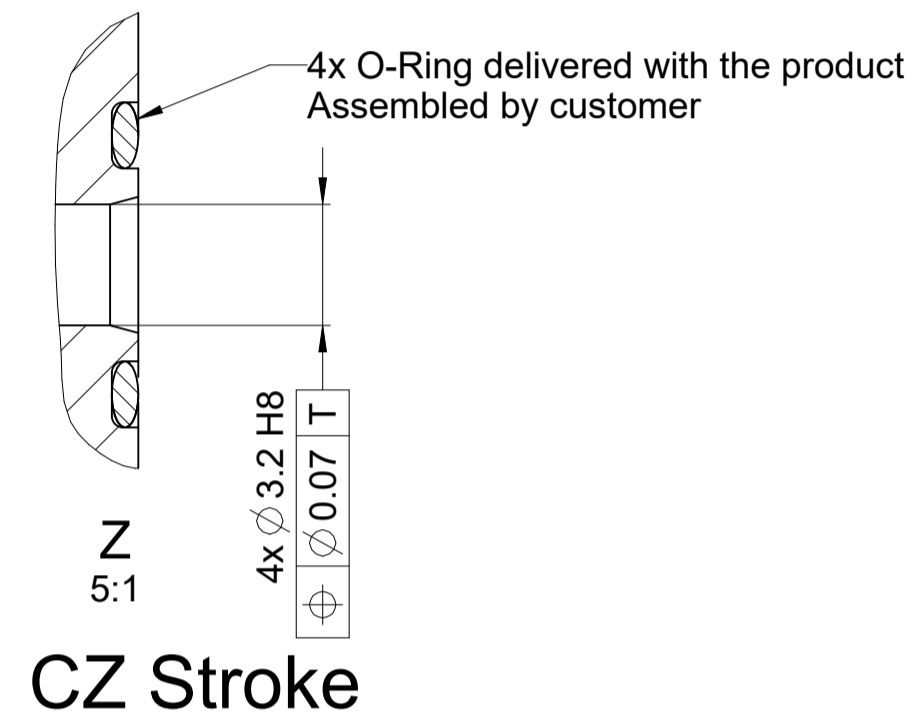
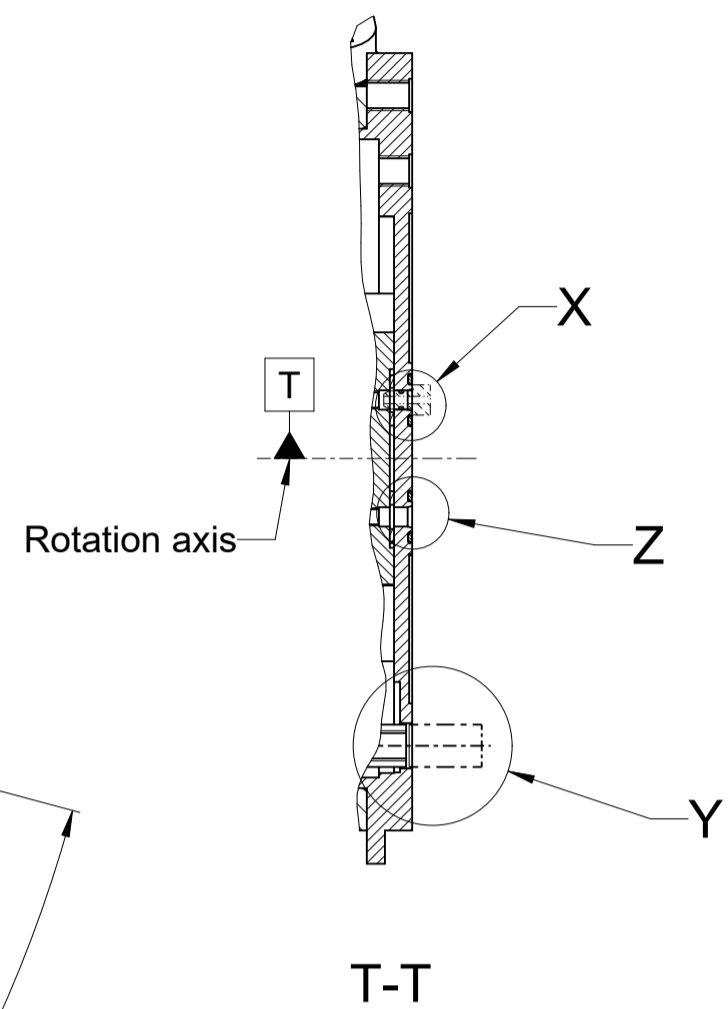
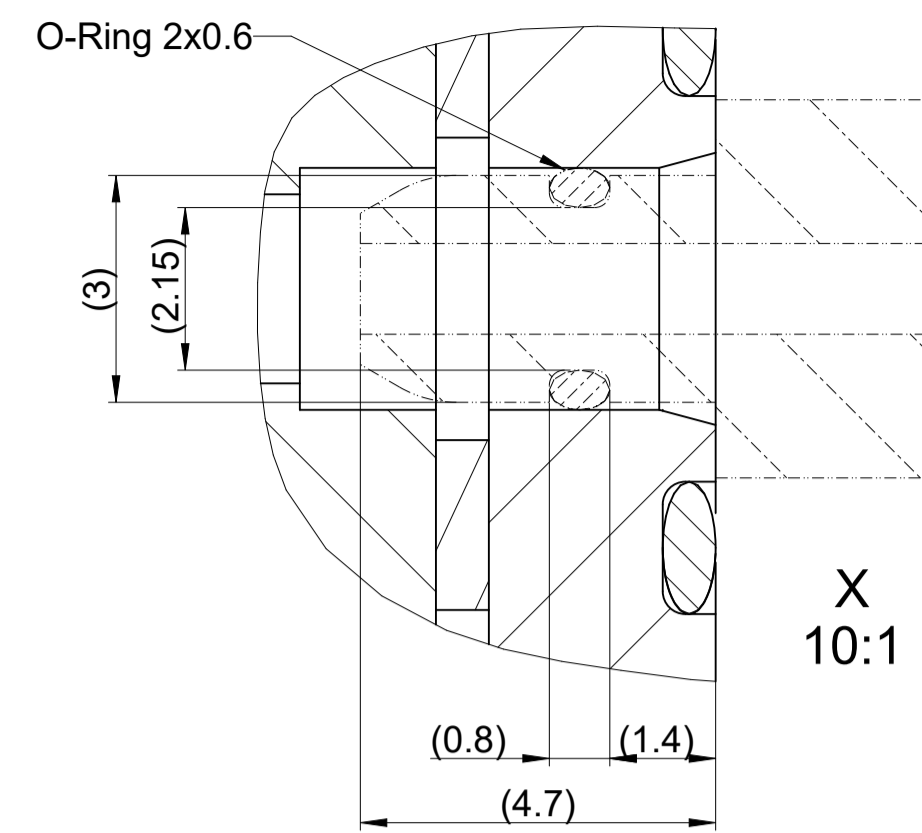
Wedge adjustment screws.
Use according instruction of user manual.



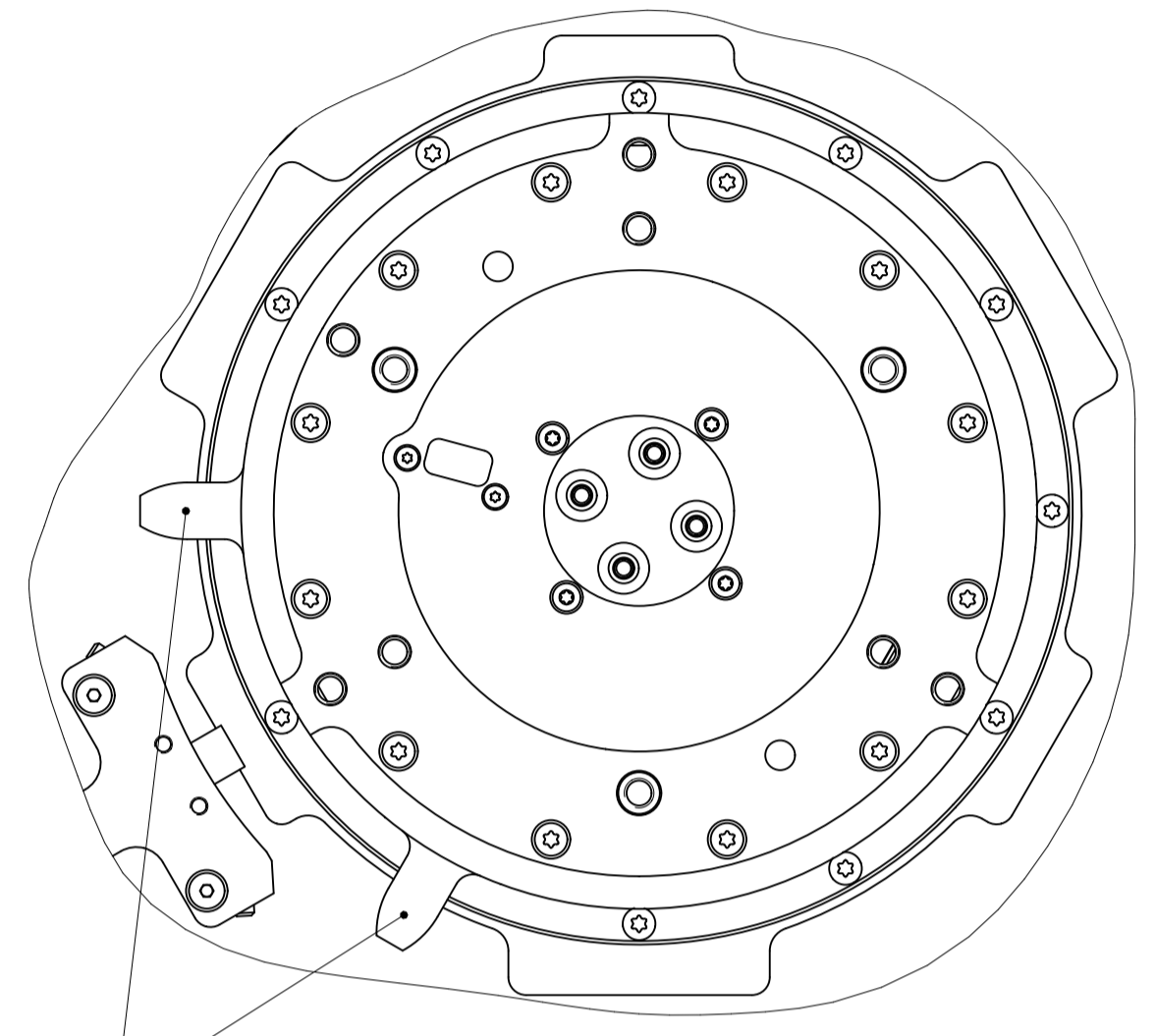
Text: Add information M		ID number: 1324806-
Original drawing		Change No. C152045-05
Scale: 4:5		Released: 01-Dec-22
Format: A1		Tolerances as per ISO 8015 : 2011
Dimensions in mm		Tolerances selon ISO 8015 : 2011
ASME-NNNN-05-0012-0004-1-Z3TM+ COMBINED MODULE		Dimensions without tolerance
Z3TM+		Dimensions sans tolérances
Mating Dimensions / Cotes d'encadrement		
The reproduction, distribution and utilization of this document as well as the communication of its contents to others without express authorization is prohibited. Offenders will be held liable for the payment of damages. All rights reserved in the event of the grant of a patent, utility model or design. (ISO 18015)		
ETEL ETEL S.A. 2112 Möllers SWITZERLAND		Version Revision Sheet Page 1326462-03-A-01 1 of 3



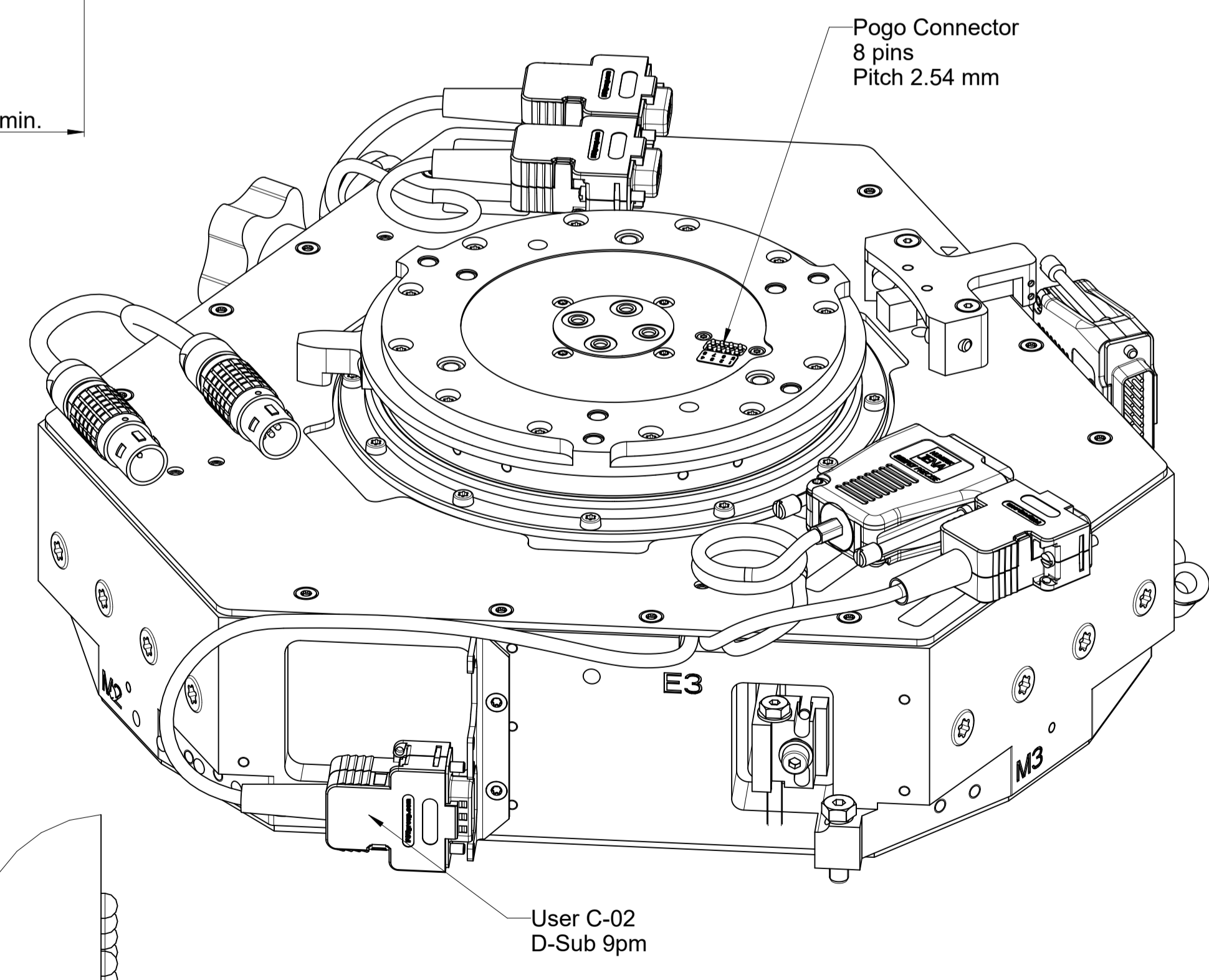
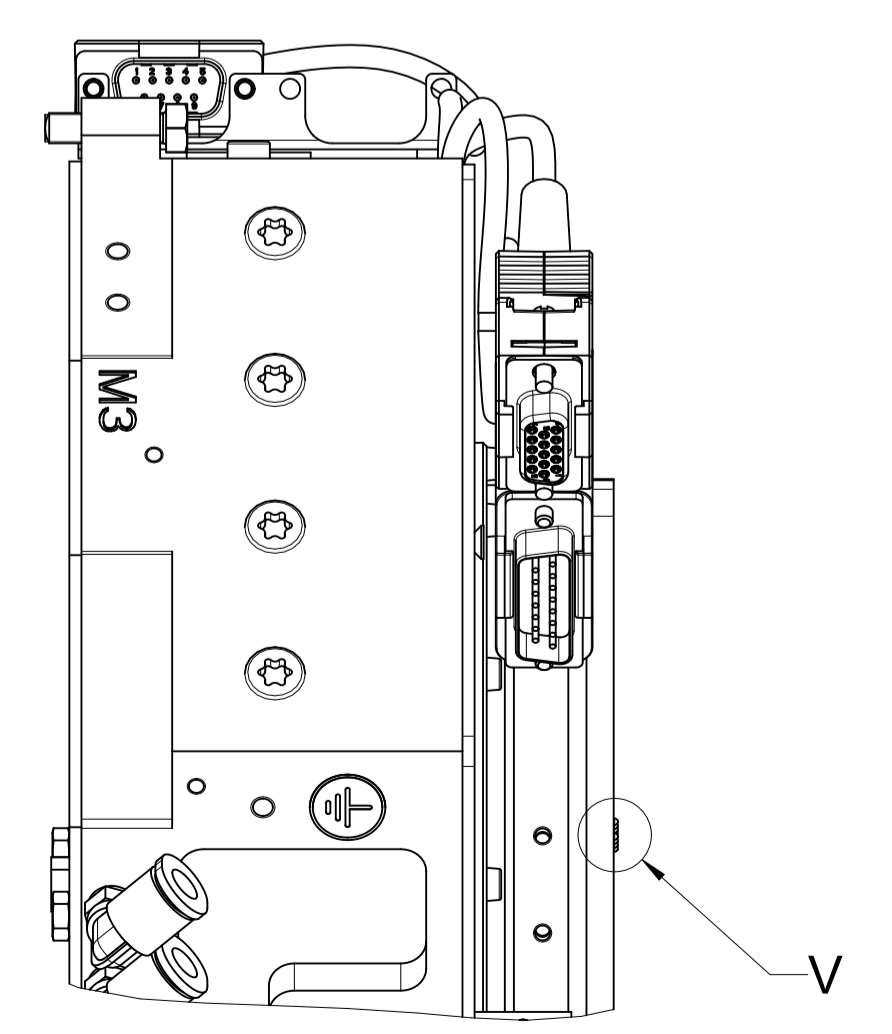
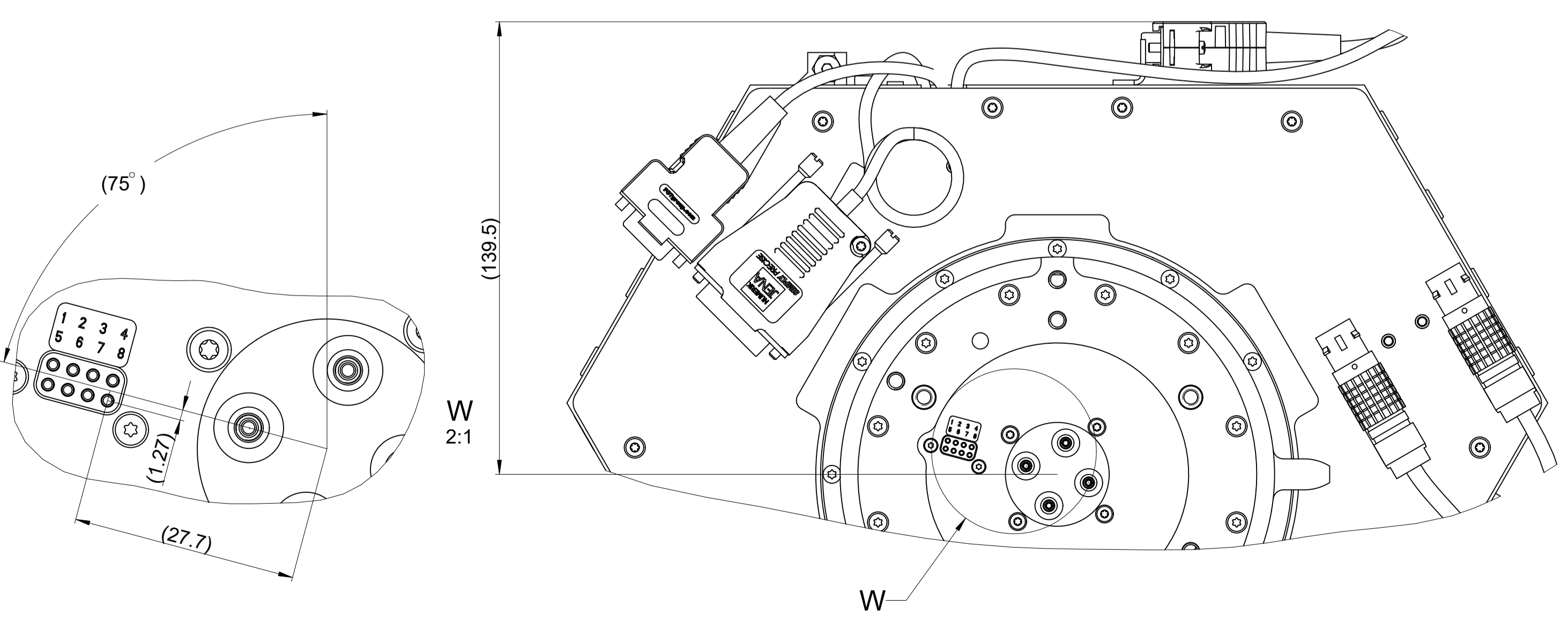
Customer fitting or part of chuck



T Stroke limited
 Option 65° min.
 Option 125° min.
 Option 185° min.
 Option 245° min.
 Option 305° min.

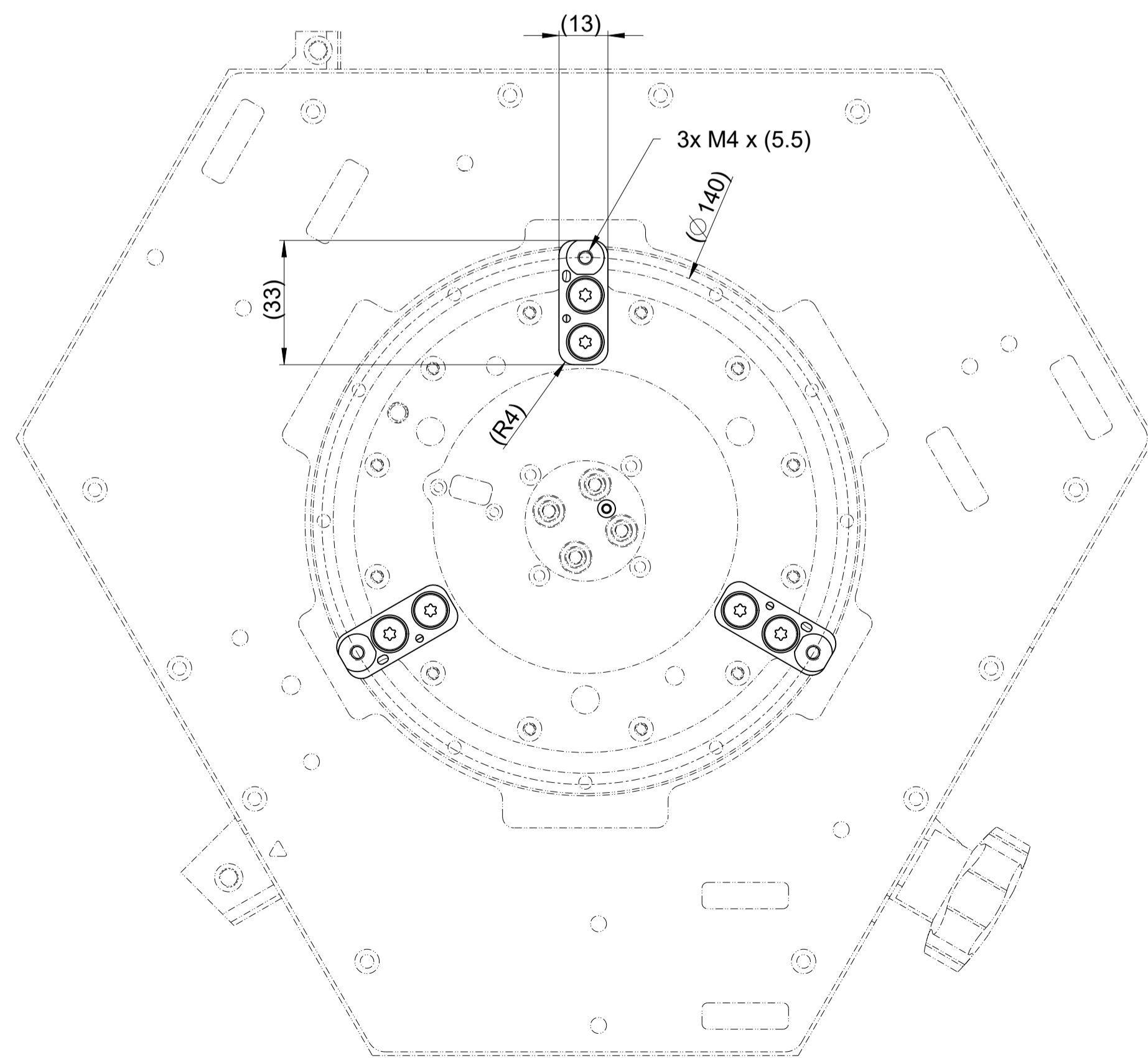
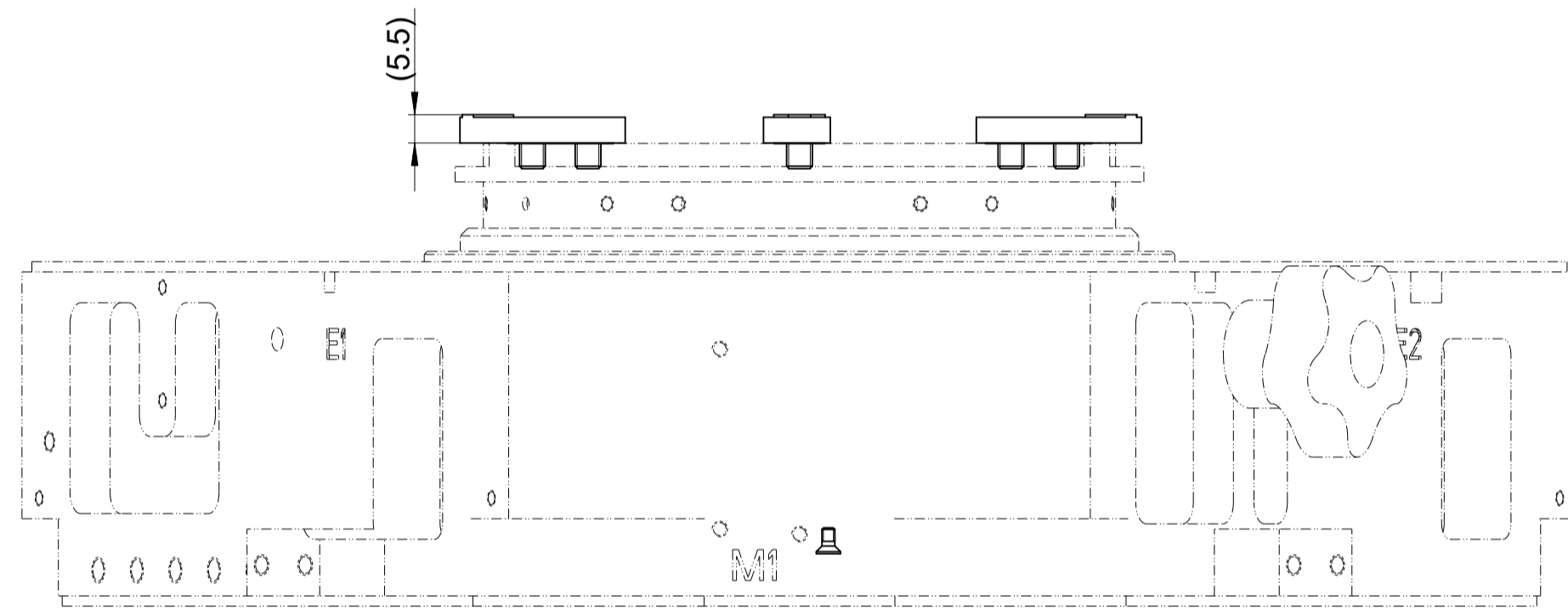
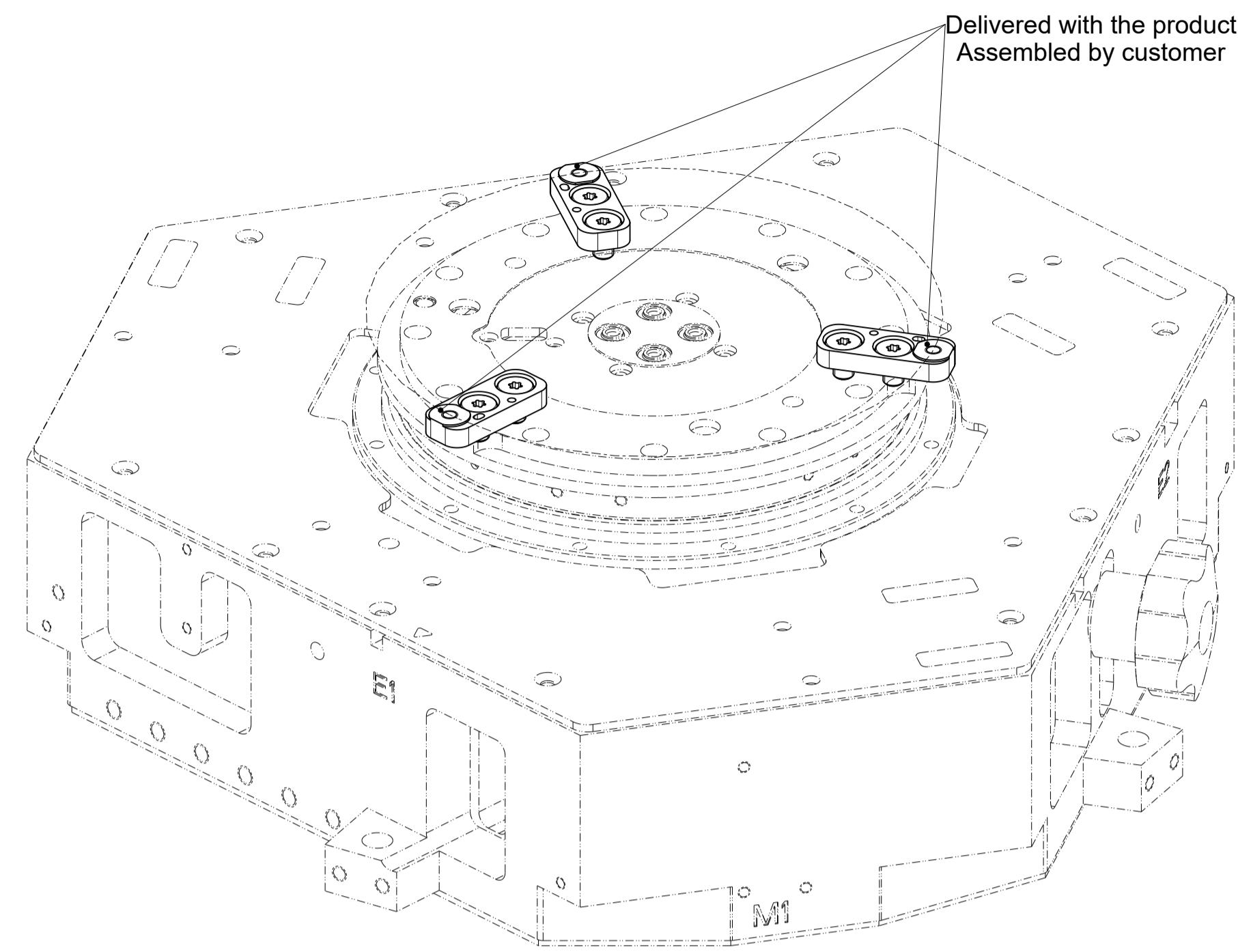


Pogo Connector 8 Pins on rotative part

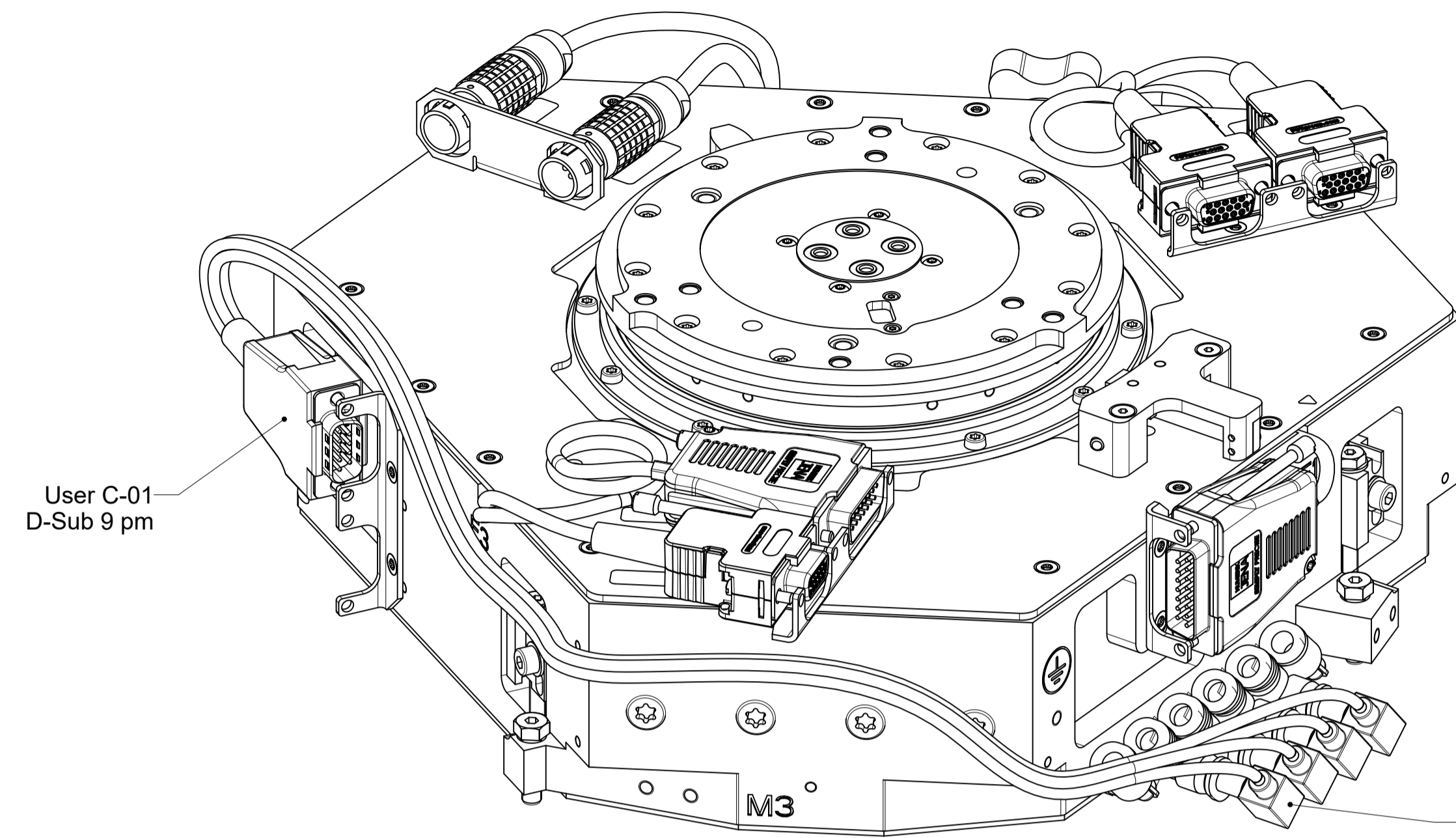


Text: Add information M		ID number: 1324806-
Change No. C152045-05		Released: 01-Dec-22
ASME-NNNN-05-0012-0004-1-Z3TM+ COMBINED MODULE		Tolerances as per ISO 8015: 2011
Z3TM+		Tolerances selon ISO 8015: 2011
Mating Dimensions / Cotes d'encombrement		Dimensions without tolerance
Dimensions in mm 4:5 A1		Dimensions sans tolérances
The reproduction, distribution and utilization of this document as well as the communication of its contents to others without express authorization is prohibited. Offenders will be held liable for the payment of damages. All rights reserved in the event of the grant of a patent, utility model or design. (ISO 18015)		
ETEL S.A. 2112 Möllers SWITZERLAND		Version Revision Sheet Page 1326462-03-A-01 2 of 3

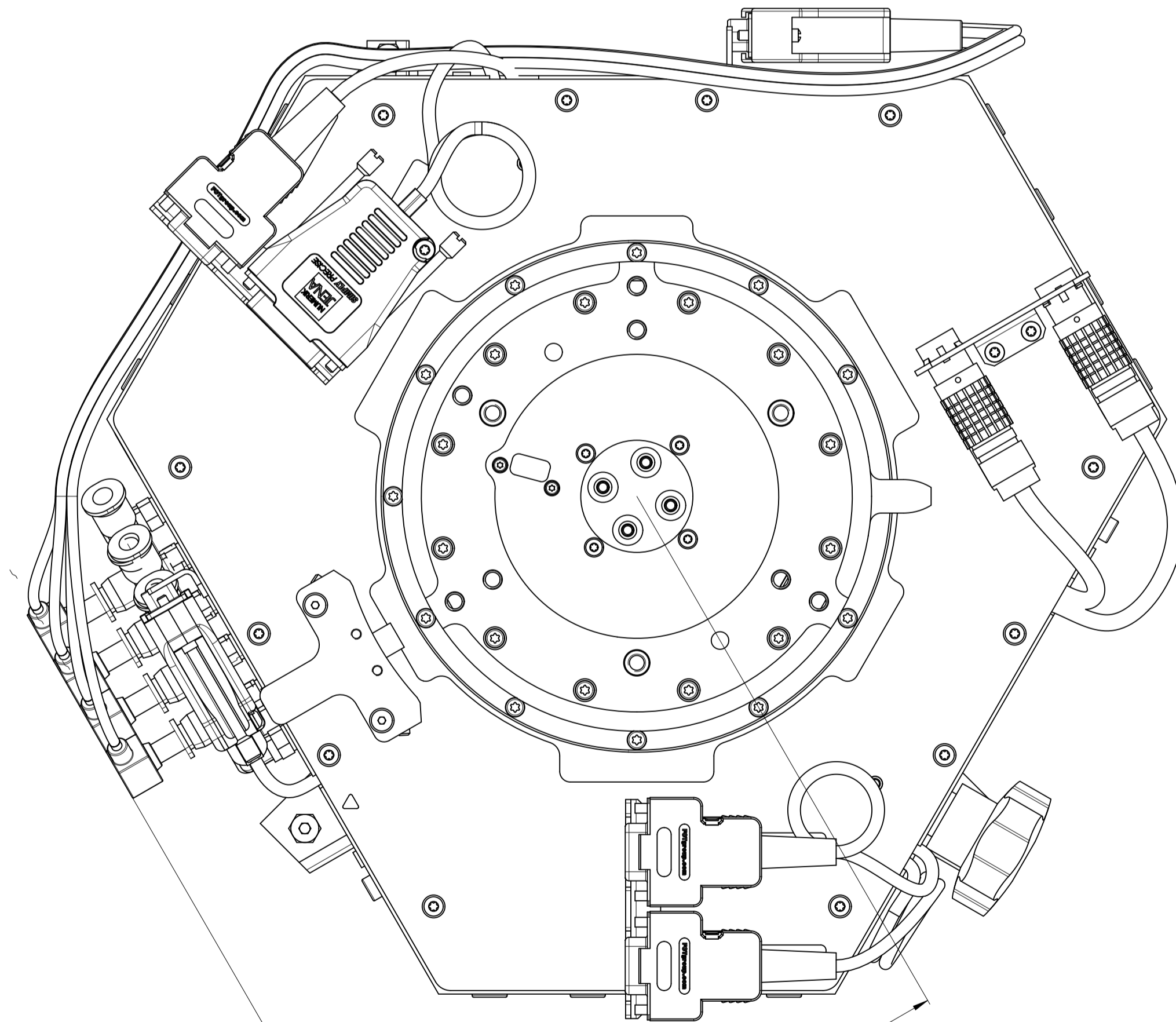
Wobble adjustment kit



Vacuum 2



4x Vacuum sensors for :
Chuck Vac 1
Chuck Vac 2
Chuck Vac 3
Chuck Vac 4



Text: Add information M		ID number: 1324806-
Change No. C152045-05		Released: 01-Dec-22
ASME-NNNN-05-0012-0004-1-Z3TM COMBINED MODULE		Tolerances as per ISO 8015 : 2011
Z3TM+		Tolerances selon ISO 8015 : 2011
Mating Dimensions / Cotes d'encorement		Dimensions without tolerance
Dimensions in mm		Dimensions sans tolérances
<p>The reproduction, distribution and utilization of this document as well as the communication of its contents to others without express authorization is prohibited. Offenders will be held liable for the payment of damages. All rights reserved in the event of the grant of a patent, utility model or design. (ISO 18015)</p>		
<p>ETEL ETEL S.A. 2112 Möllers SWITZERLAND</p>		<p>Version Revision Sheet Page</p> <p>1326462-03 - A-01 3 of 3</p> <p>Document number</p>